

1. Before getting started, read these instructions and save them for later reference.
2. Turn off the POS Terminal before cleaning. Clean with dry cloth only. Do not spray any liquid cleaner directly on the screen.
3. The power outlet socket used to plug in power cord must be located near the system and easily accessible.
4. Make sure the voltage of the power source is set correctly before connecting the POS Terminal to power outlet.
5. If the POS Terminal shares an extension cord with other devices, make sure the total loading of the devices plugged into the extension cord does not exceed the extension cord's maximum loading.
6. Do not expose the power cord, extension cord and power outlet to moisture or traffic intensive walkways.
7. Install the POS Terminal on a sturdy and reliable surface to prevent damage caused by dropping.
8. The operating system must be first loaded before installing any software into the POS Terminal.
9. Disconnect the power cord from the POS terminal before any installation of internal components. Make sure both the POS terminal and the external devices are turned off. A sudden surge of power may damage sensitive components. Also make sure the POS terminal is properly grounded.
10. During installation of any internal components, be sure to ground yourself and discharge any static electricity. Most electronic components are highly sensitive to static electric charge. Use a grounding wrist strap and place all electronic components in any static-shielded devices. If a wrist-grounding strap is not available, ground yourself by touching an unpainted piece of metal.
11. The brightness of the flat panel display will decrease after using over long periods of time. However, hours of use will vary depending on the application environment.
12. When maintenance of the POS Terminal, make sure the LCD panel is properly and securely installed.

Warning & Attention

Technical Support

1. To set CMOS default, press **F2** to enter **CMOS setting** and load optimized defaults.
2. Refer to **User Manual** for other technical information and FAQs. If the problems are not resolved, contact your local vendor for further support and provide them with the information below: **product name, product serial number, and detailed description of your problem.**

Safety notices

⚠ Before You Proceed

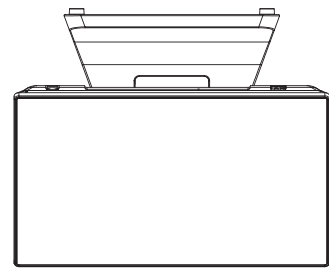
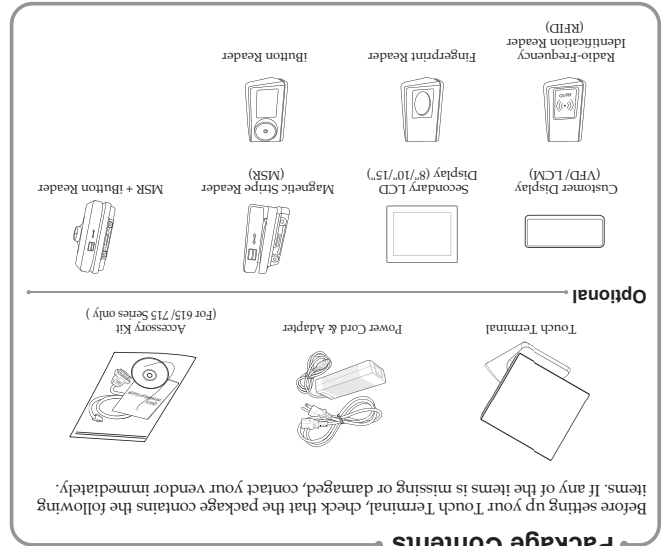
- Read safety notice and User Manual carefully before using the product.
- Keep the box and packaging in case the product needs to be shipped in the future.
- Follow the product and warning label instructions.
- Any changes or modifications that do not follow the instructions in this manual will void this product's warranty.

⚠ Power Supply Safety Notice

- To avoid electric shocks, disconnect the power cord from the electrical outlet before relocating the system.
- Make sure the voltage of the power outlet conforms within voltage range of the terminal. Failure to comply may cause the electric shock or damage to the terminal. If you are not sure of the electricity voltage that you are using, contact your local electricity company.
- To avoid fire or electric shocks, do not overload electric power outlets.
- Protect the power cord from being walked on or pinched particularly at plug, convenience receptacles, and the point where they exit from the apparatus.

NOTICE

The version of these drivers and manuals is subject to change without notice. For update, please contact your local agent.



Overview

ZPKMU-00188



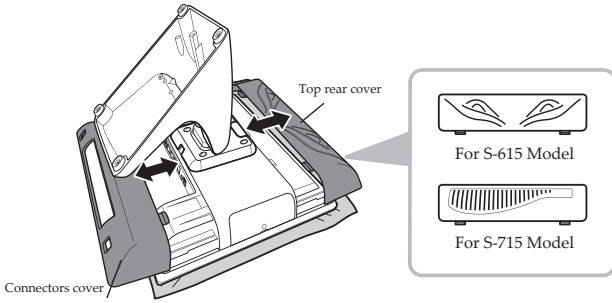
Saturn Series

S-415L/ 615L/ 715L

Quick Installation Guide V1.0

Replacing the Rear Covers

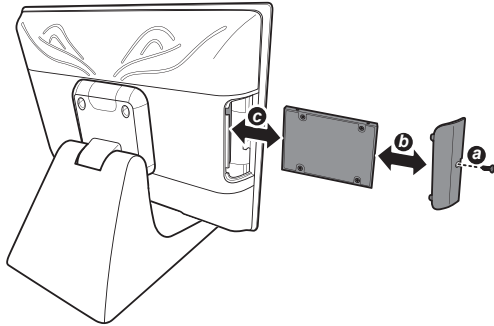
1. Place the Touch Terminal on a soft and flat surface, with the LCD panel facing down.
2. Slide the top rear cover off the Touch Terminal.
3. Replace the top rear cover on the Touch Terminal.
4. Repeat steps 1 and 2 to replace the connectors cover.



Installing / Replacing the HDD

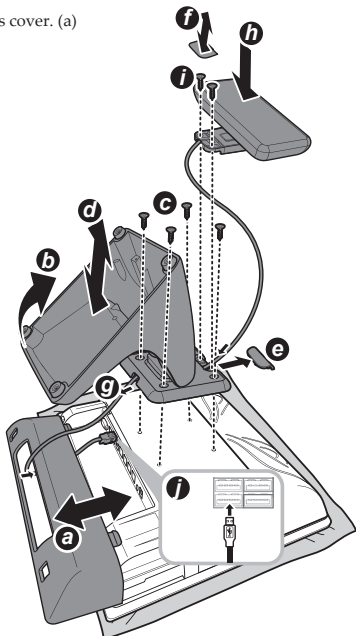
WARNING:
Be sure to turn off the power of the Touch Terminal before making any connection or disconnection.

1. Remove the screw from the HDD/identification reader compartment cover. (a)
2. Detach the HDD/identification reader compartment cover. (b)
3. Install the HDD into its compartment in the Touch Terminal, making sure the connectors are aligned correctly. (c)
4. Replace the HDD/identification reader compartment cover (b) and secure with the screw. (a)



Installing the Customer Display (Optional)

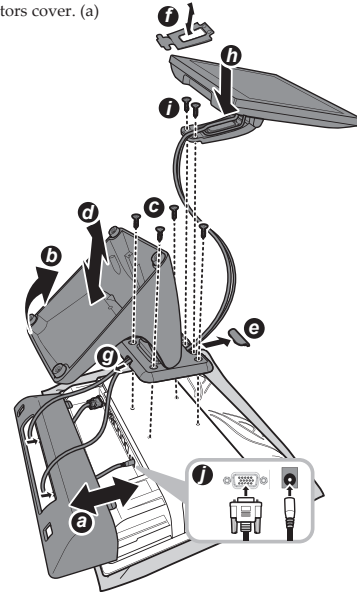
1. Place the Touch Terminal on a soft and flat surface, with the LCD panel facing down.
2. Remove the connectors cover. (a)
3. Rotate the panel stand to access the screws securing the panel stand to the Touch Terminal. (b)
4. Remove the four screws securing the panel stand to the Touch Terminal. (c)
5. Detach the panel stand. (d)
6. Detach the VESA compartment cover. (e)
7. Detach the customer display compartment cover. (f)
8. Route the customer display cable through the cable compartment on the panel stand. (g)
9. Align and install the panel stand to the Touch Terminal. (d)
10. Secure the panel stand to the Touch Terminal with the four screws. (c)
11. Align and install the customer display into its slot on the panel stand. (h)
12. Secure the customer display to the Touch Terminal using the two screws. (i)
13. Replace the customer display compartment cover. (f)
14. Connect the customer display's interface cable to the corresponding port on the Touch Terminal. (j)
15. Replace the connectors cover. (a)



Installing the Secondary LCD Display (Optional)

WARNING:
Be sure to turn off the power of the Touch Terminal before making any connection or disconnection.

1. Place the Touch Terminal on a soft and flat surface, with the LCD panel facing down.
2. Remove the connectors cover. (a)
3. Rotate the panel stand to access the screws securing the panel stand to the Touch Terminal. (b)
4. Remove the four screws securing the panel stand to the Touch Terminal. (c)
5. Detach the panel stand. (d)
6. Detach the VESA compartment cover. (e)
7. Detach the secondary LCD display compartment cover. (f)
8. Route the secondary LCD display cable through the cable compartment on the panel stand. (g)
9. Align and install the panel stand to the Touch Terminal. (d)
10. Secure the panel stand to the Touch Terminal with the four screws. (c)
11. Align and install the secondary LCD display into its slot on the panel stand. (h)
12. Secure the secondary LCD display to the Touch Terminal with the two screws. (i)
13. Replace the secondary LCD display compartment cover. (f)
14. Connect the secondary LCD display's interface cable to the corresponding port on the Touch Terminal. (j)
15. Replace the connectors cover. (a)



Installing the Identification Reader (MSR/iButton/Fingerprint/RFID/M+i) (Optional)

WARNING:
Be sure to turn off the power of the Touch Terminal before making any connection or disconnection.

NOTE:
The identification reader can be installed on either side of the Touch Terminal.

1. Remove the screw securing the HDD/identification reader compartment cover to the Touch Terminal. (a)
2. Detach the HDD/identification reader compartment cover from the Touch Terminal. (b)
3. Route the optical identification reader connector through the opening on the support bracket. (c)
4. Align and install the support bracket to the Touch Terminal. (d)
5. Secure the support bracket to the Touch Terminal with the screw. (e)
6. Detach the identification reader compartment cover. (f)
7. Connect the identification reader connector with the optional identification reader connector. (g)
8. Align by the screw holes and then install the identification reader to the support bracket. (h)
9. Secure the identification reader to the support bracket with the two screws. (i)
10. Attach the identification reader compartment cover to the identification reader. (j)

