

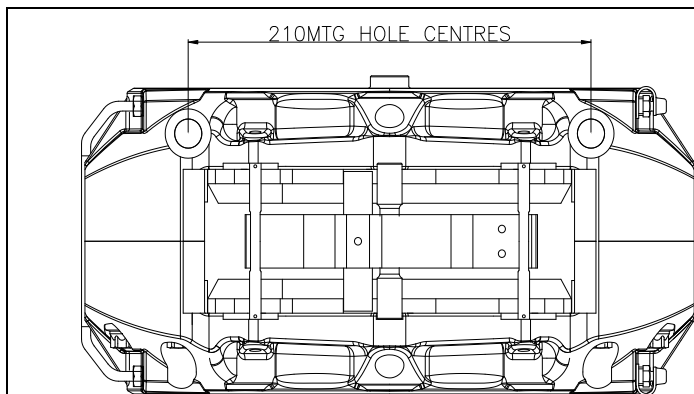
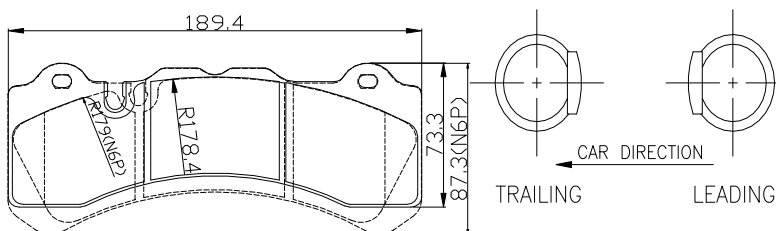
● N6PST

TECHNICAL SPECIFICATION

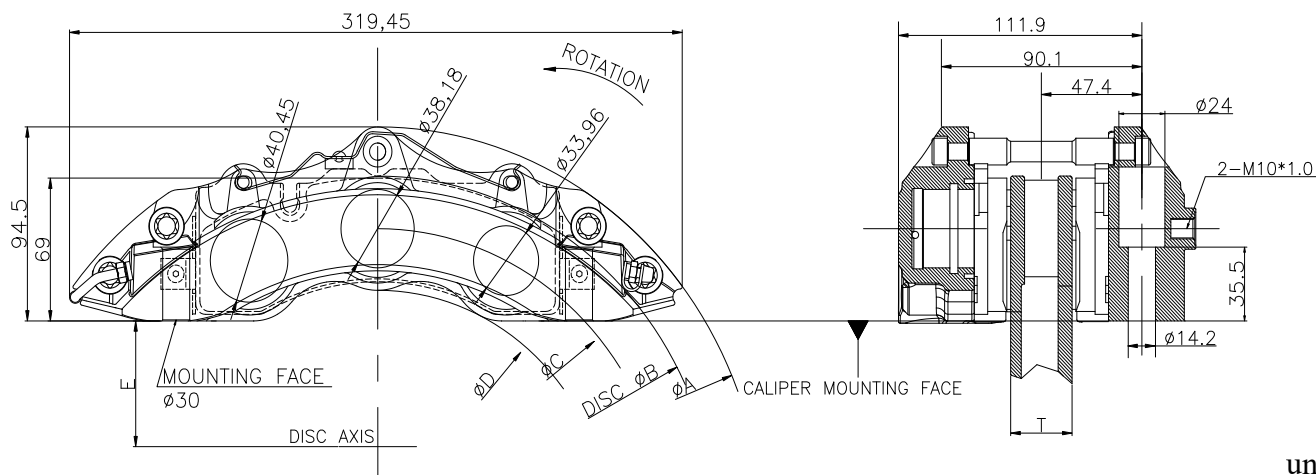
Piston Size	$\phi 33.96\text{mm} * 2 + \phi 38.18\text{mm} * 2 + \phi 40.45\text{mm} * 2$		
Piston Area	33.36 cm ² *2	PL' Dimension	69mm
Piston Material	Aluminum Alloy	Caliper Body	2pieces
Disc Diameter	ϕB	Caliper Material	Aluminum Alloy Forged
Disc Thicknesses	T 28mm		
Weight(Less Pads)	3.5kg(One Side)		
Hydraulic Threads	M10*1.0		
Mounting	Radial		
centres	210mm		
offset	47.4mm		
hole ϕ	14.2mm		


PAD FAMILY(HFB6PST&N6PST)

Pad Area=85.98cm ² (96.43cm ²)
Pad Depth=49mm(57.2mm)
Pad Thickness=14.5mm(with shim, panel thicknes 6~7mm)
Pad Weight =3.22(4pieces)



NO.	DISC $\phi B/T$	ϕA	ϕB	ϕC	ϕD	E
1	$\phi 330/T28$	388	330	279	218	94.91
2	$\phi 355/T28$	403.3	355	304.3	243	107.41
3	$\phi 380/T28$	430.3	380	331.3	268	120.91



unit:mm



泓輔企業股份有限公司

Horng Fuu Industrial CO.,LTD.