

● 8FPM4L



MEDIUM 8 PISTON FORGED CALIPER

中對 8 活塞鍛造卡鉗(8FPM4L#440)

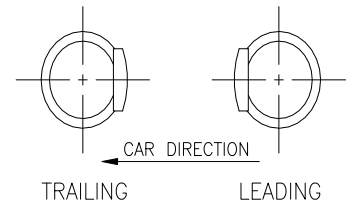
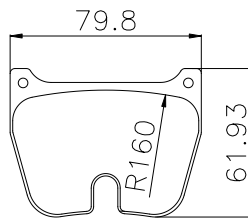
**TECHNICAL SPECIFICATION**

|                   |  |                  |                       |
|-------------------|--|------------------|-----------------------|
| Piston Size       | $\phi 27\text{mm} \times 4 + \phi 30.23\text{mm} \times 4$ |                  |                       |
| Piston Area       | 25.81cm <sup>2</sup> *2                                    | 'PL' Dimension   | 68.1mm                |
| Piston Material   | Aluminum Alloy   | Caliper Body     | 2 pieces              |
| Disc Diameter     | $\phi B$   | Caliper Material | Aluminum Alloy Forged |
| Disc Thicknesses  | T  |                  |                       |
| Weight(Less Pads) | 4.15kg(One side)   |                  |                       |
| Hydraulic Threads | M10*1.0  |                  |                       |
| Mounting          | Radial   |                  |                       |
| - centres         | 180mm  |                  |                       |
| - offset          | 52.4mm   |                  |                       |
| - hole $\phi$     | 12.2mm   |                  |                       |

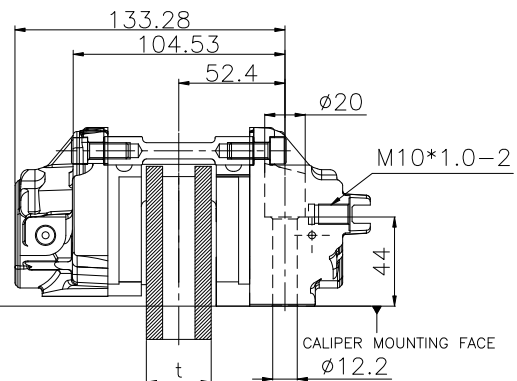
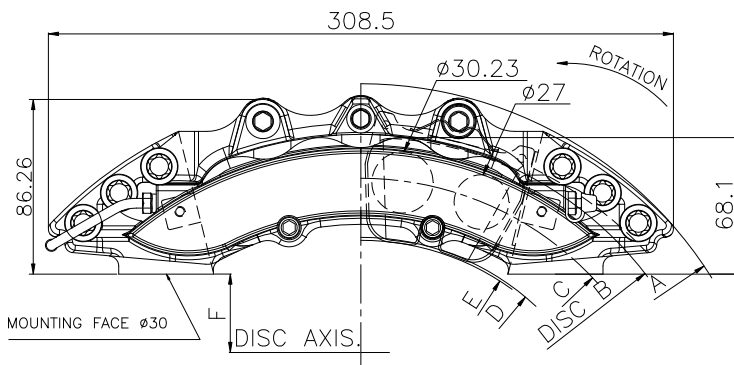
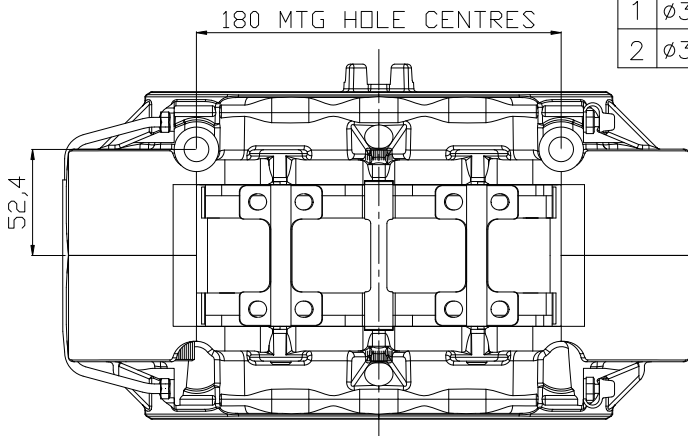


**PAD FAMILY(HF12CP)**

Pad Area=33cm<sup>2</sup>  
 Pad Depth=50.3mm  
 Pad Thickness=16.5mm(with shim, panel thickness 5.5mm)  
 Pad Weight =1kg(4 pieces)



| NO | DISC $\phi B/T$ | $\phi A$ | $\phi B$ | $\phi C$ | $\phi D$ | $\phi E$ | F      |
|----|-----------------|----------|----------|----------|----------|----------|--------|
| 1  | $\phi 355/T32$  | 406.26   | 355      | 311.73   | 253.23   | 250.19   | 108.48 |
| 2  | $\phi 380/T32$  | 429.22   | 380      | 336.86   | 279.22   | 276.66   | 121.9  |



unit:mm

