

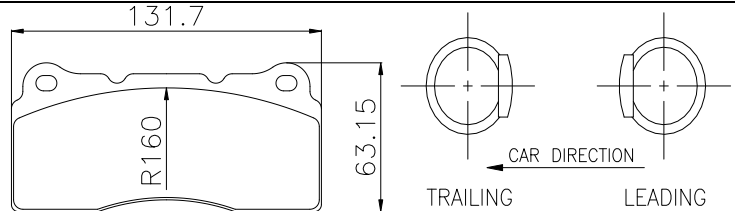
● 4BPD

TECHNICAL SPECIFICATION

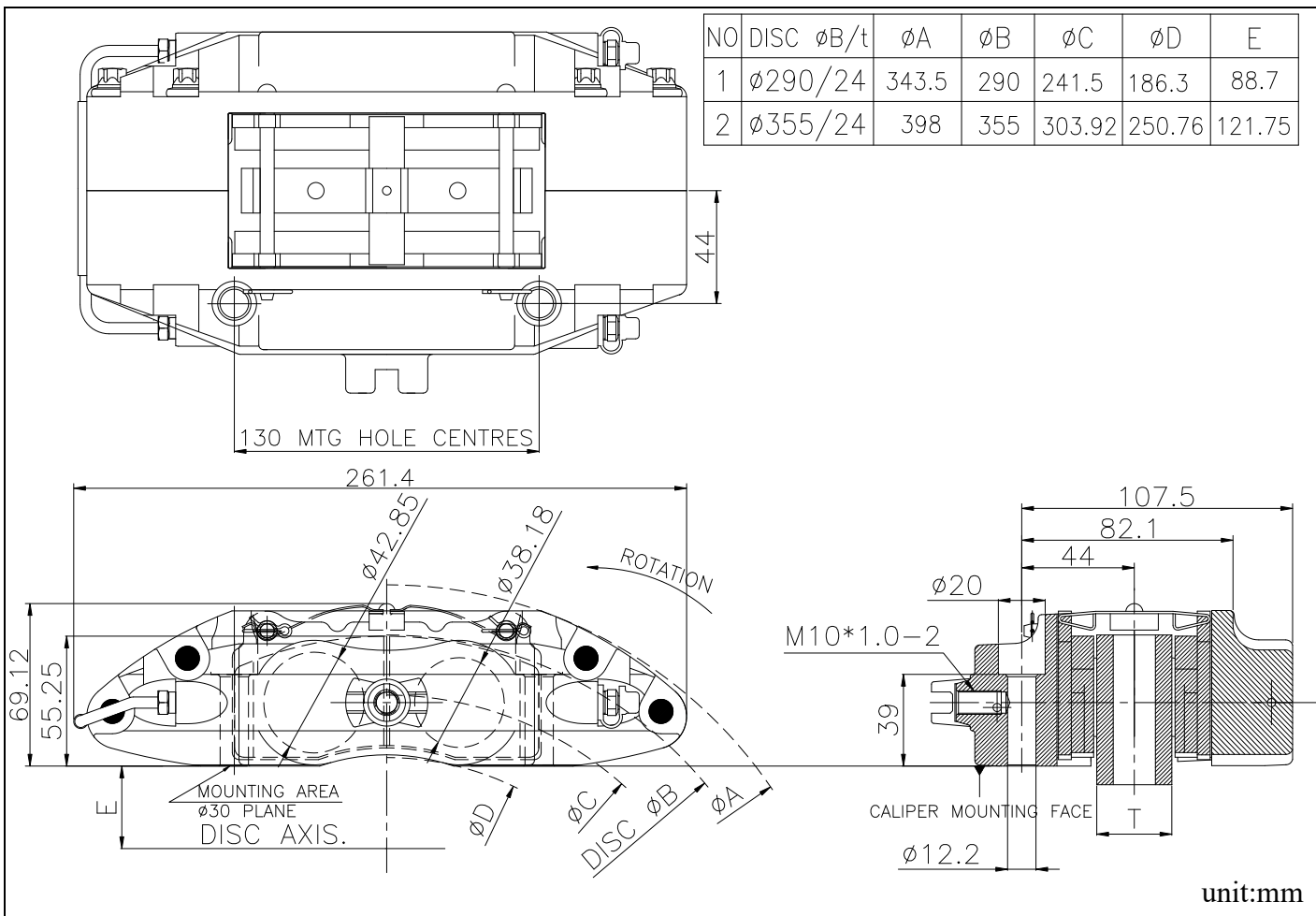
| | | | |
|-------------------|--|------------------|-----------------------|
| Piston Size | $\phi 38.18\text{mm} * 2 + \phi 42.85\text{mm} * 2 ; \phi 33.96\text{mm} * 4(\text{REAR})$ | | |
| Piston Area | $25.86\text{cm}^2 * 2 ; 18.1\text{cm}^2 * 2 (\text{REAR})$ | 'PL' Dimension | 55.25mm |
| Piston Material | Aluminum Alloy | Caliper Body | 2 pieces |
| Disc Diameter | $\sim \phi 355\text{mm}$ | Caliper Material | Aluminum Alloy Forged |
| Disc Thicknesses | T:24mm(T22~T26m) | | |
| Weight(Less Pads) | 2.8kg(One side) | | |
| Hydraulic Threads | M10*1.0 | | |
| Mounting | Radial | | |
| - centres | 130mm | | |
| - offset | 44mm | | |
| - hole ϕ | 12.2mm | | |


PAD FAMILY(HF4CP)

Pad Area=59cm²
 Pad Depth=46.5mm
 Pad Thickness=15mm(with shim, panel thicknes 5.5mm)
 Pad Weight =0.85kg(2 pieces)



| NO | DISC $\phi B/t$ | ϕA | ϕB | ϕC | ϕD | E |
|----|-----------------|----------|----------|----------|----------|--------|
| 1 | $\phi 290/24$ | 343.5 | 290 | 241.5 | 186.3 | 88.7 |
| 2 | $\phi 355/24$ | 398 | 355 | 303.92 | 250.76 | 121.75 |



unit:mm