

● 4BPDST

TECHNICAL SPECIFICATION

Piston Size	$\phi 40.45\text{mm} \times 4$; $\phi 42.85\text{mm} \times 4$		
Piston Area	$25.7\text{cm}^2 \times 2$; $28.84\text{cm}^2 \times 2$	'PL' Dimension	55.25mm
Piston Material	Aluminum Alloy	Caliper Body	2 pieces
Disc Diameter	$\phi B \sim \phi 355$	Caliper Material	Aluminum Alloy Forged
Disc Thicknesses	T:22~26mm		
Weight(Less Pads)	2.8kg(One side)		
Hydraulic Threads	M10*1.0		
Mounting	Radial		
- centres	130mm		
- offset	42.5mm		
- hole ϕ	12.2mm		

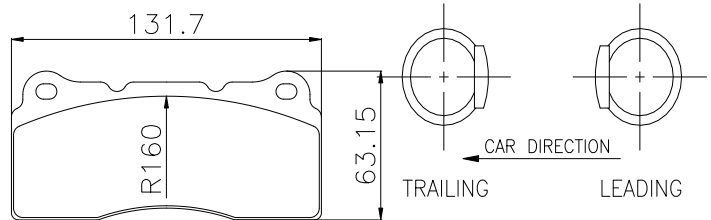

PAD FAMILY(HFN4ST)

 Pad Area=59cm²

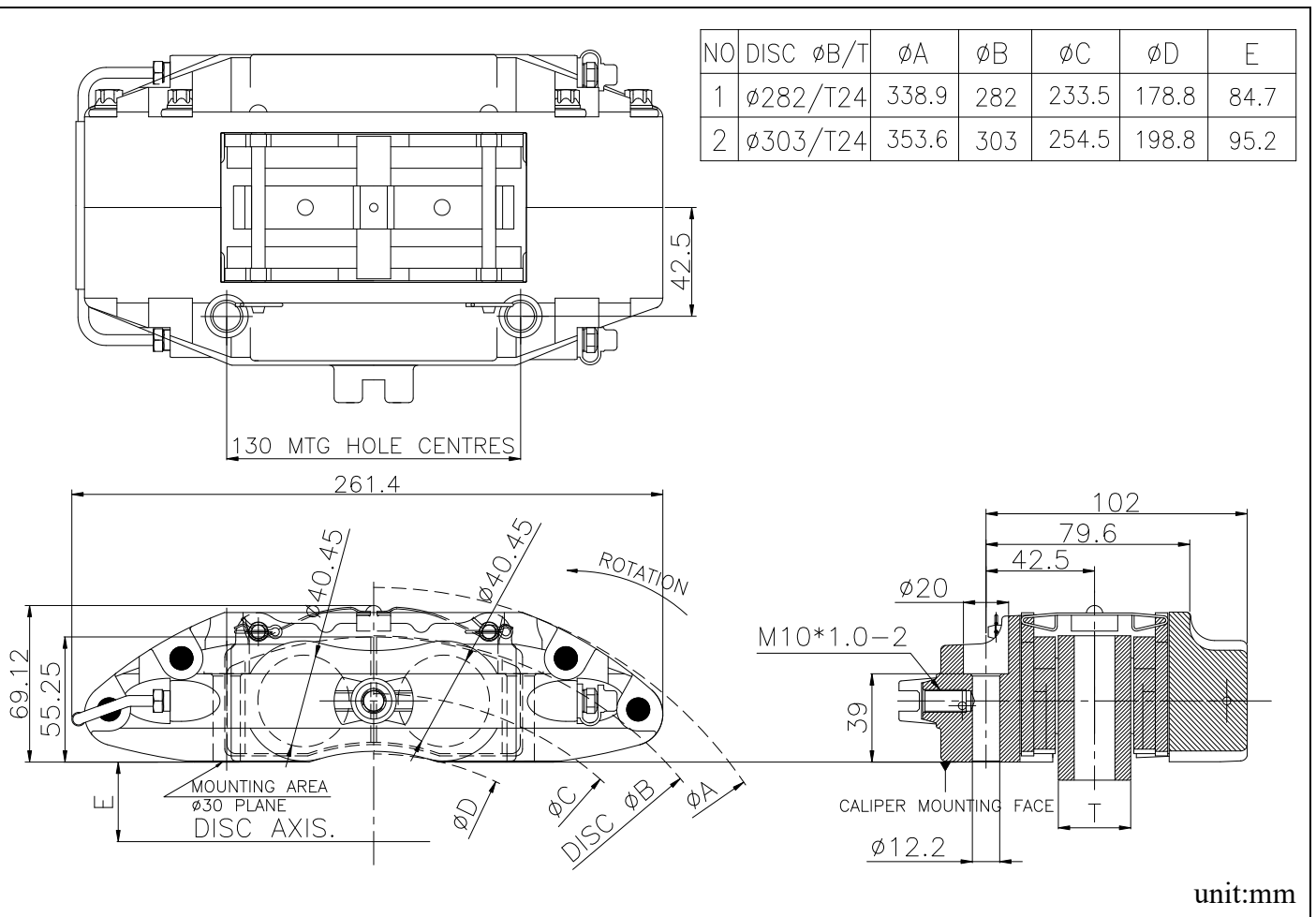
Pad Depth=46.5mm

Pad Thickness=13.5mm(with shim, panel thickness 5.5mm)

Pad Weight =0.85kg(2 pieces)



NO	DISC $\phi B/T$	ϕA	ϕB	ϕC	ϕD	E
1	$\phi 282/T24$	338.9	282	233.5	178.8	84.7
2	$\phi 303/T24$	353.6	303	254.5	198.8	95.2



unit:mm