

● 6T4

**TECHNICAL SPECIFICATION**

|                   |                         |                  |                       |
|-------------------|-------------------------|------------------|-----------------------|
| Piston Size       | $\phi$ 33.96mm*4        | 'PL' Dimension   | I                     |
| Piston Area       | 18.11cm <sup>2</sup> *2 | Caliper Body     | 2pieces               |
| Piston Material   | Aluminum Alloy          | Caliper Material | Aluminum Alloy Forged |
| Disc Diameter     | $\phi$ B                |                  |                       |
| Disc Thicknesses  | T                       |                  |                       |
| Weight(Less Pads) | 3.2kg(One side)         |                  |                       |
| Hydraulic Threads | M10*1.0                 |                  |                       |
| Mounting          | Radial                  |                  |                       |
| centres           | 154mm                   |                  |                       |
| offset            | 52.4mm                  |                  |                       |
| hole $\phi$       | 12.2mm                  |                  |                       |

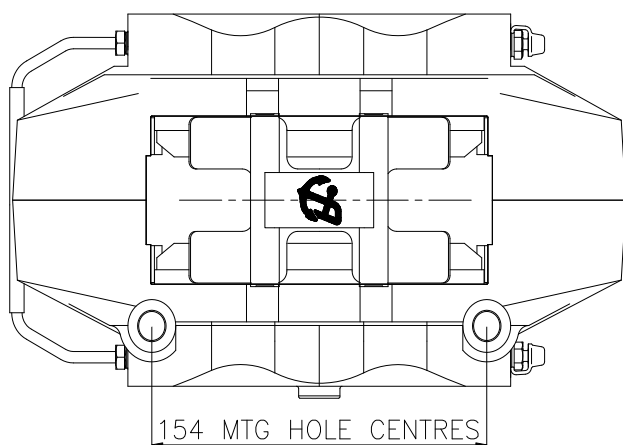
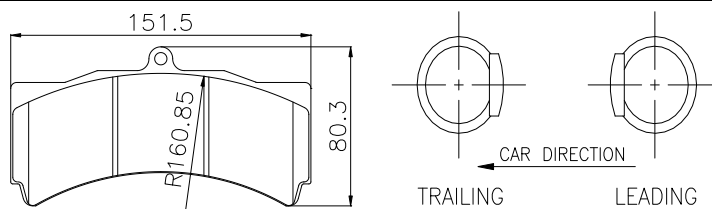

**PAD FAMILY(HF6CP)**

 Pad Area=74.5cm<sup>2</sup>

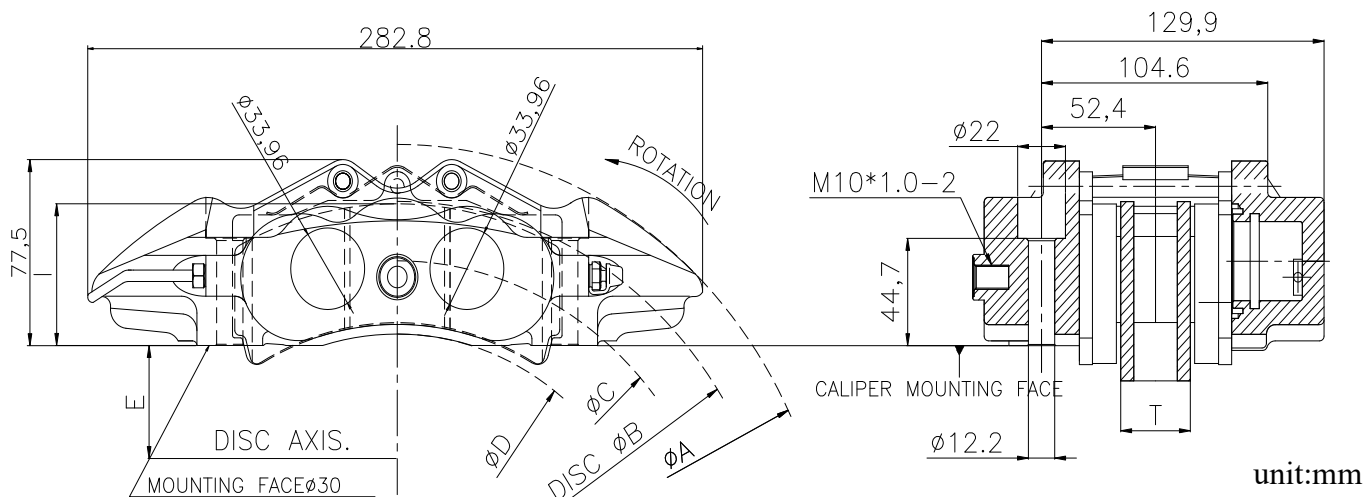
Pad Depth=49.5mm

Pad Thickness=17mm(with shim, panel thickness 6mm)

Pad Weight =1.03kg(2pieces)



| NOD | DISC $\phi$ B/T  | $\phi$ A | $\phi$ B | $\phi$ C | $\phi$ D | E     | I    |
|-----|------------------|----------|----------|----------|----------|-------|------|
| 1   | $\phi$ 330/30,32 | 384.03   | 330      | 278.56   | 222.05   | 104.7 | 59.3 |
| 2   | $\phi$ 355/32    | 402.66   | 355      | 305.51   | 244.5    | 117.7 | 59.3 |
| 3   | $\phi$ 380/32    | 427.44   | 380      | 334.49   | 272.72   | 132.2 | 57.8 |



unit:mm