

● BRF6P

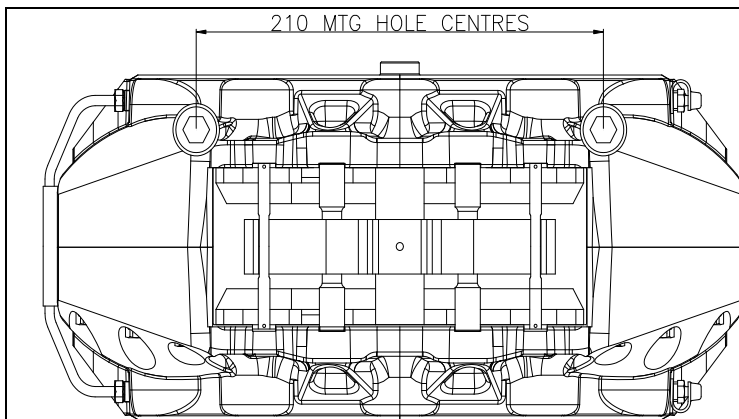
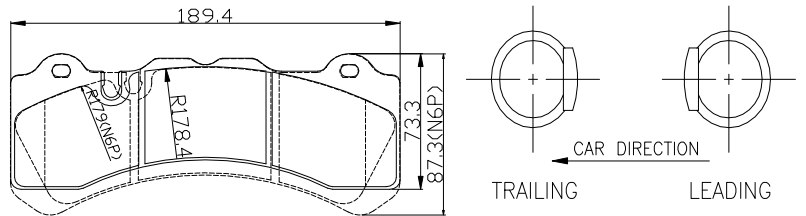
TECHNICAL SPECIFICATION

Piston Size	$\phi 30.23\text{mm} * 2 + \phi 34.93\text{mm} * 2 + \phi 40.45\text{mm} * 2$		
Piston Area	29.61cm ² *2	PL' Dimension	79mm
Piston Material	Aluminum Alloy	Caliper Body	2pieces
Disc Diameter	ϕB	Caliper Material	Aluminum Alloy Forged
Disc Thicknesses	T		
Weight(Less Pads)	4.6kg(One side)		
Hydraulic Threads	M10*1.0		
Mounting	Radial		
centres	210mm		
offset	53.9mm		
hole ϕ	14.2mm		

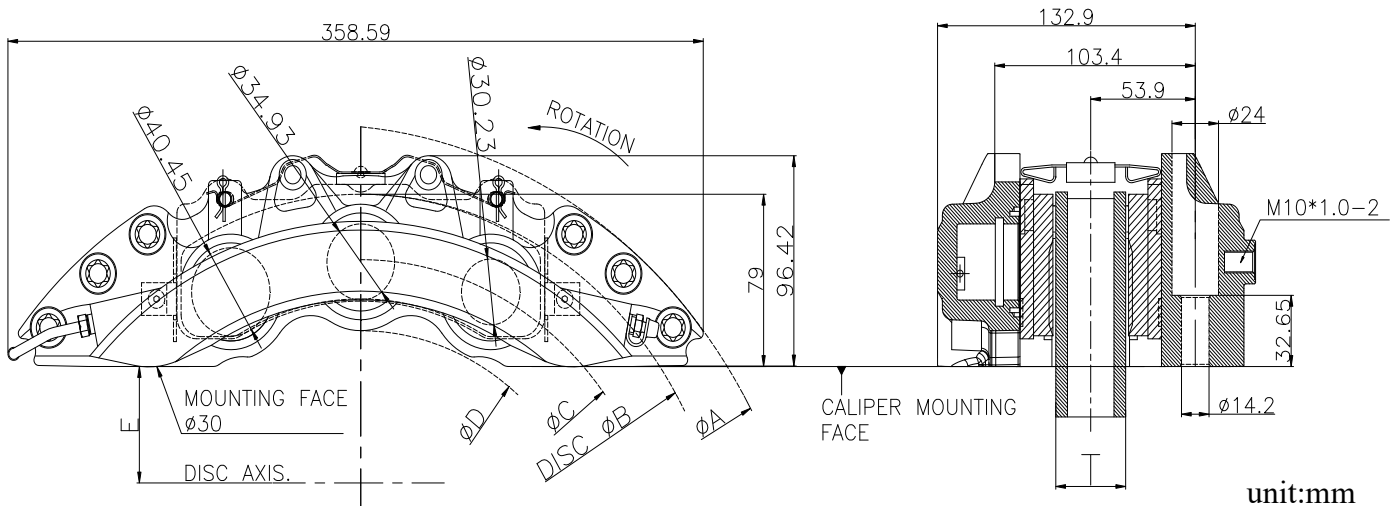


PAD FAMILY(HFB6P&N6P)

Pad Area=85.98cm²(96.43cm²)
 Pad Depth=49mm(57.2mm)
 Pad Thickness=17mm(with shim, panel thicknes 6~7mm)
 Pad Weight =3.22(4pieces)



NO.	DISC $\phi B/T$	ϕA	ϕB	ϕC	ϕD	E
1	$\phi 405/T36$	451	405	352.72	277.86	122.5
2	$\phi 380/T32.34$	435	380	328.33	253.25	110



unit:mm