

● 6FPN

TECHNICAL SPECIFICATION

Piston Size	$\phi 30.23\text{mm} * 2 + \phi 34.93\text{mm} * 2 + \phi 40.45\text{mm} * 2$		
Piston Area	29.61cm ² *2	'PL' Dimension	I
Piston Material	Aluminum Alloy	Caliper Body	2pieces
Disc Diameter	ϕB	Caliper Material	Aluminum Alloy Forged
Disc Thicknesses	T		
Weight(Less Pads)	2.95kg(One side)		
Hydraulic Threads	M10*1.0		
Mounting	Radial		
centres	154mm		
offset	52.4mm		
hole ϕ	12.2mm		

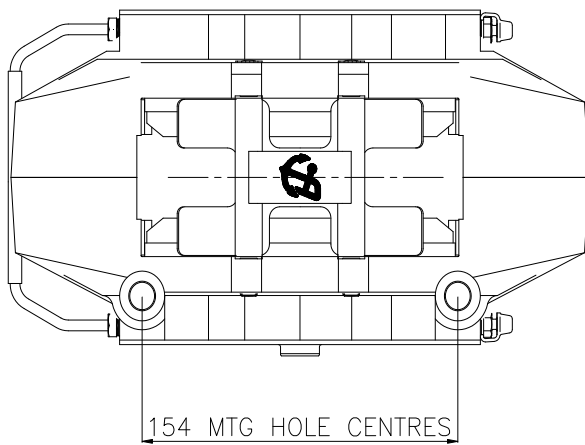
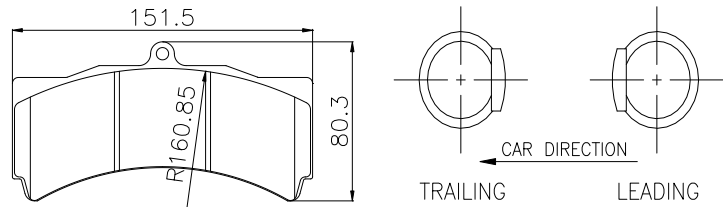

PAD FAMILY(HF6CP)

 Pad Area=74.5cm²

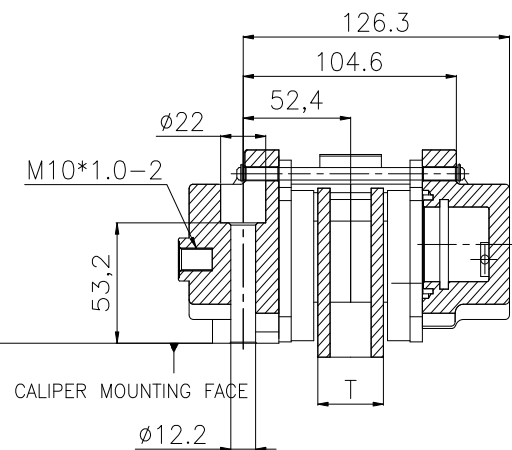
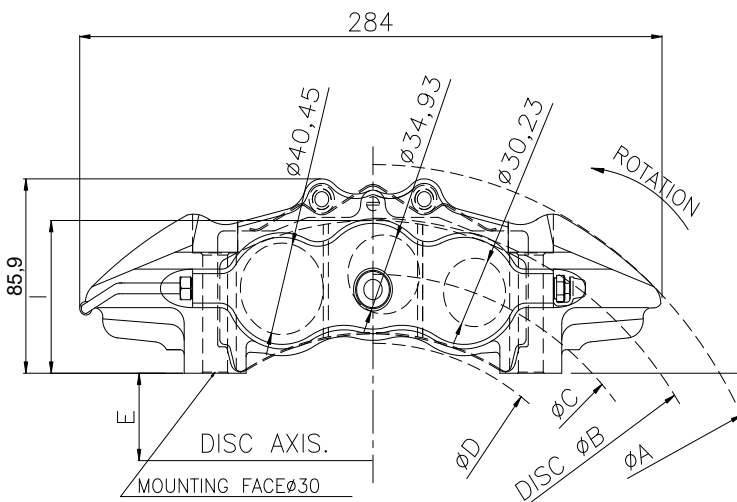
Pad Depth=49.5mm

Pad Thickness=17mm(with shim, panel thickness 6mm)

Pad Weight =1.03kg(2pieces)



NO	DISC $\phi B/T$	ϕA	ϕB	ϕC	ϕD	E	I
1	$\phi 330/30,32$	384.03	330	278.56	221.4	96.2	67.8
2	$\phi 355/32$	401.92	355	303.29	245.92	108.7	67.8
3	$\phi 380/32$	427.44	380	330.05	274.84	123.7	66.3



unit:mm



泓輔企業股份有限公司

Horng Fuu Industrial CO.,LTD.

<http://www.anchor-brake.com.tw/>

E-mail: sa2@horngfuu.com.tw

TEL: +886-3-371-0789

FAX: +886-3-371-0777